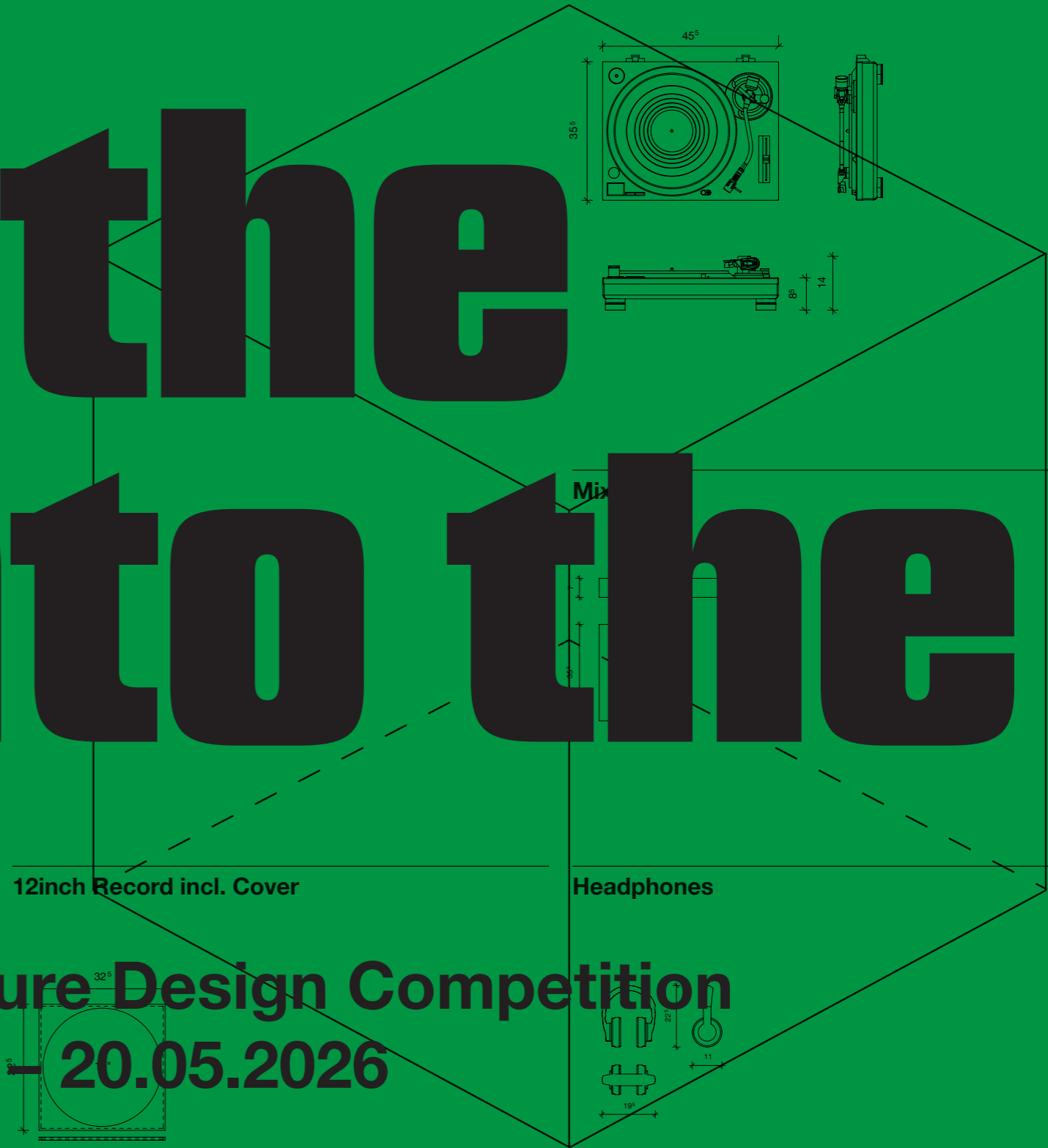




USM Dimensions

Phono Technics 1210 MKII

Out of the box. Into the grid.



Furniture Design Competition
04.05. – 20.05.2026



Design a piece of furniture for people who love listening to vinyl records in an urban living context. We are not looking for an on-stage DJ booth, but for an object that celebrates collecting and experiencing music from physical records at home. A setup that offers the opportunity to slow down and focus on a single piece of music, chosen intentionally. No further song suggestions by algorithms. Just a conscious moment of listening.

THE OBJECT

The furniture should hold (details on page 3):

- 1 turntable
- 150 records (12")
- 1 mixer
- 1 pair of headphones

THE GRID

- Work within the USM Modular Furniture production grid
- Stay within the maximum volume of 225 × 225 × 225 cm
- We are looking for the most creative interpretation of working with the USM grid

HOW TO PARTICIPATE

- Bring your idea to the last page of this document. Hand sketch, 2D, 3D render, AI-generated, using the **USM configurator** - or a combination. The format is open. **It's all about the idea.**
- Please include: a project title, a short description (max. 5 sentences), the artist and track your concept is based on, your contact details to follow-up with our feedback.
- Submit your pdf to: usm@area.at. Deadline: 20.05.2026

SELECTION AND AWARD

All projects will be reviewed by Gregorio Lubroth, who teaches at University of Applied Arts Vienna. The winners will be contacted on May 25th and projects will be announced and presented during the event evening "5 Tracks, 5 Courses" on May 27th by Gregorio Lubroth with the price handover on site and a feature across our channels after the event.

1st Price:

USM Frog Table, an unique USM piece designed by AREA. 1+1 ticket for the "5 Tracks, 5 Courses" event" An exclusive evening of sound, taste, and living on May 27th in the AREA Store Vienna. Drinks and five culinary highlights included.

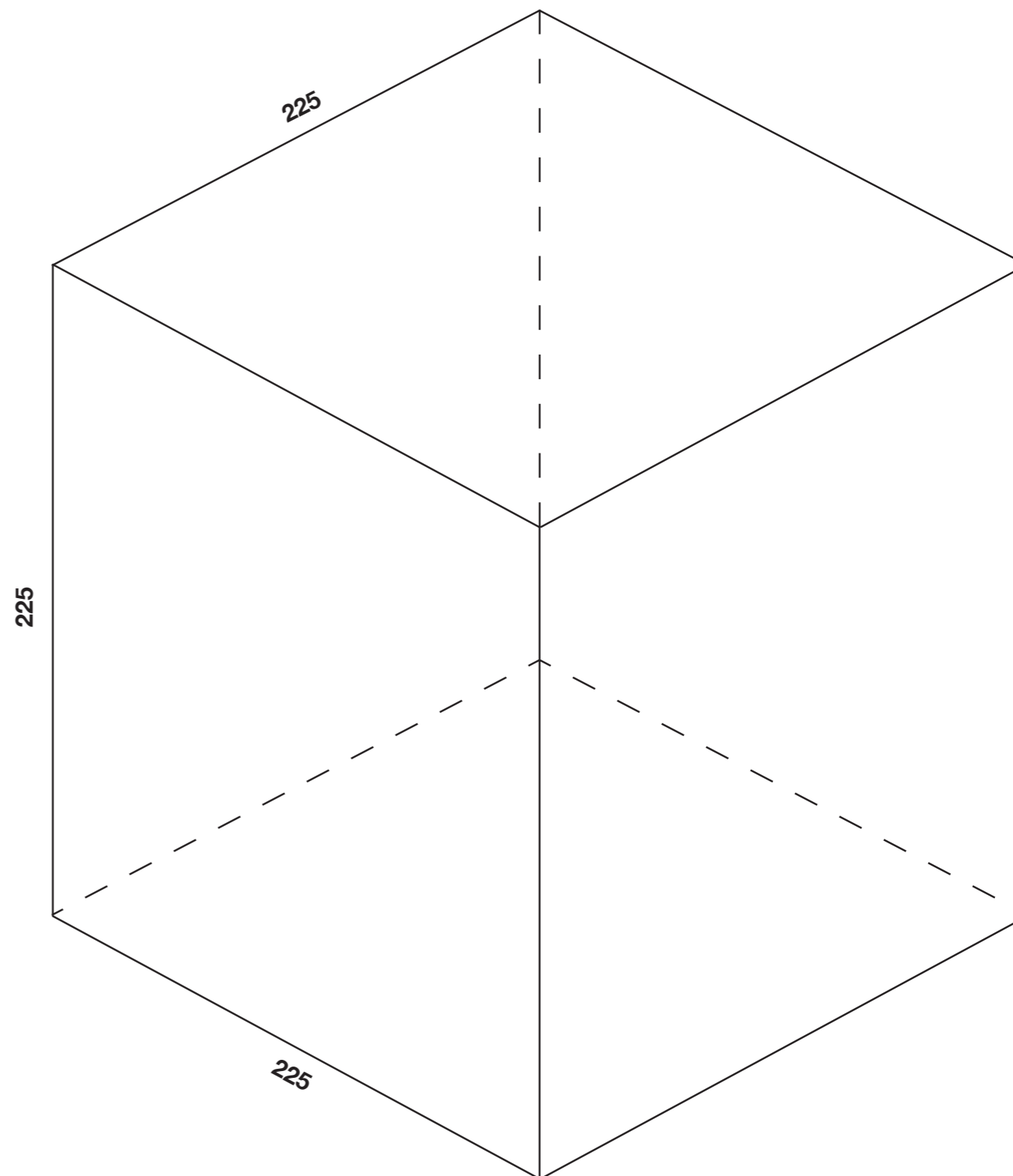
2nd Price:

A curated vinyl by Zirup.

QUESTIONS?

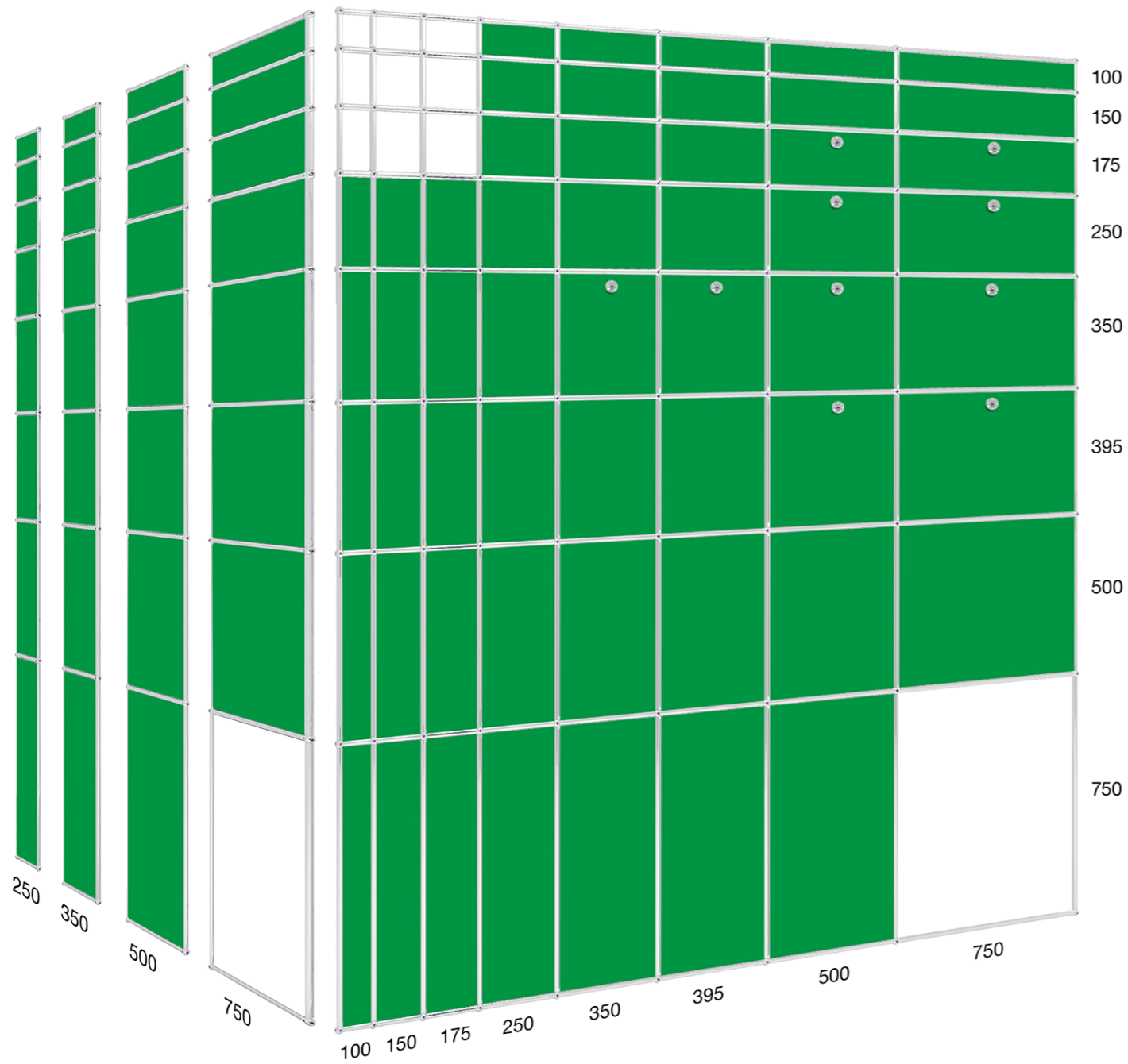
usm@area.at

The Grid

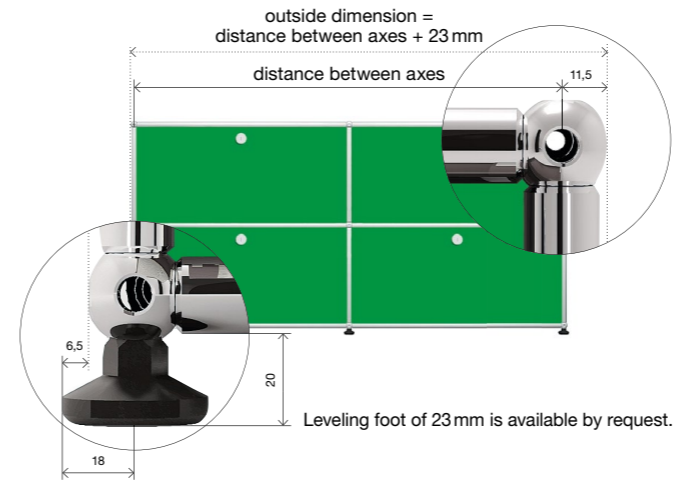




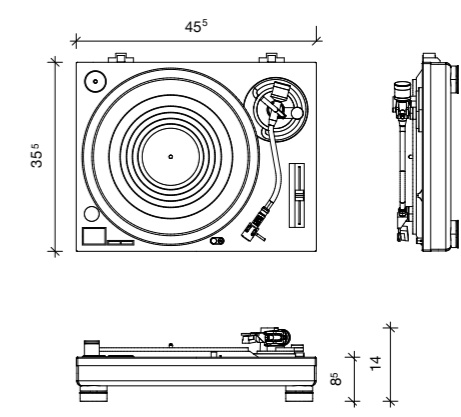
The USM Grid



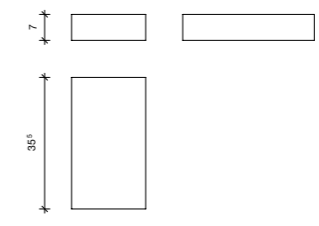
USM Dimensions



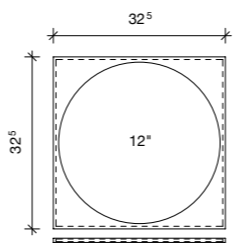
Phono Technics 1210 MKII



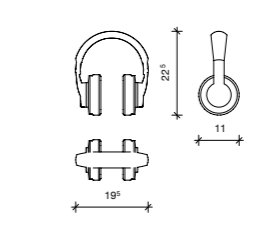
Mixer



12inch Record incl. Cover



Headphones



Out of the box. Into the grid.
Furniture Design Competition
04.05. – 20.05.2026

by **AREA**® and Zirup
with **USM** Modular Furniture



Designed by:

Your Design

Your Email

Project Name

Description (max. 5 sentences)